



**VE Series Floor Scale
Instruction Manual**

**Báscula para piso serie VE
Manual de instrucciones**

**Balance au sol Série VE
Manuel d'instructions**

**Bodenwaage der VE-Serie
Bedienungsanleitung**

**Bilancia da pavimento serie VE
Manuale di istruzioni**



Conformance



This product conforms to the EMC directive 89/336/EEC and the Low Voltage Directive 73/23/EEC. The complete declaration of Conformity is available from Ohaus Corporation

Disposal

In conformance with the European Directive 2002/96 EC on Waste Electrical and Electronic Equipment (WEEE) this device may not be disposed of in domestic waste. This also applies to countries outside the EU, per their specific requirements.



Please dispose of this product in accordance with local regulations at the collecting point specified for electrical and electronic equipment.

If you have any questions, please contact the responsible authority or the distributor from which you purchased this device.

Should this device be passed on to other parties (for private or professional use), the content of this regulation must also be related.

Thank you for your contribution to environmental protection.

ISO 9001 Registration

In 1994, Ohaus Corporation, USA, was awarded a certificate of registration to ISO 9001 by Bureau Veritas Quality International (BVQI), confirming that the Ohaus quality management system is compliant with the ISO 9001 standard's requirements. On May 15, 2003, Ohaus Corporation, USA, was re-registered to the ISO 9001:2000 standard.

Conformidad



Este producto se conforma con el EMC 89/336/EEC directivo y la baja tensión 73/23/EEC directivo. El declaración completo de la conformidad está disponible de Ohaus Corporation.

Eliminación de residuos

De conformidad con las exigencias de la directiva europea 2002/96 CE sobre residuos de aparatos eléctricos y electrónicos (RAEE), este equipo no puede eliminarse como basura doméstica. Esta prohibición es asimismo válida para los países que no pertenecen a la UE cuyas normativas nacionales en vigor así lo reflejan.



Elimine este producto, según las disposiciones locales, mediante el sistema de recogida selectiva de aparatos eléctricos y electrónicos.

Si tiene alguna pregunta al respecto, diríjase a las autoridades responsables o al distribuidor que le proporcionó el equipo.

Si transfiere este equipo (por ejemplo, para la continuación de su uso con fines privados, comerciales o industriales), deberá transferir con él esta disposición.

Muchas gracias por su contribución a la conservación medioambiental.

Registro ISO 9001

En 1994, Bureau Veritas Quality International (BVQI) le otorgó a Ohaus Corporation, EE.UU., un certificado de registro ISO 9001 el cual confirma que el sistema administrativo de calidad de Ohaus cumple con los requerimientos del estándar ISO 9001. En mayo 15 del 2003, Ohaus Corporation, EE.UU., fue registrada nuevamente al estándar ISO 9001:2000.

Conformité



Ce produit se conforme à l'EMC 89/336/EEC directif et la basse tension 73/23/EEC directif. La déclaration complète de la conformité est fournie par Ohaus Corporation.

Elimination

En conformité avec les exigences de la directive européenne 2002/96 CE relative aux déchets d'équipements électriques et électroniques (DEEE), cet appareil ne doit pas être éliminé avec les déchets ménagers. Logiquement, ceci est aussi valable pour les pays en dehors de l'UE conformément aux réglementations nationales en vigueur.



Veillez éliminer cet appareil conformément aux prescriptions locales dans un conteneur séparé pour appareils électriques et électroniques.

Pour toute question, adressez-vous aux autorités compétentes ou au revendeur chez qui vous avez acheté cet appareil.

En cas de remise de cet appareil (p. ex. pour une utilisation privée ou artisanale/industrielle), cette prescription doit être transmise en substance.

Merci pour votre contribution à la protection de l'environnement.

Enregistrement ISO 9001

En 1994, le Bureau Veritas Quality International (BVQI) a octroyé la certification d'enregistrement ISO 9001 à Ohaus Corporation, États-Unis d'Amérique, confirmant que le système de gestion de la qualité Ohaus était conforme aux conditions normalisées de l'ISO 9001. Le 15 mai 2003, Ohaus Corporation, États-Unis d'Amérique, a été ré-enregistrée à la norme ISO 9001:2000.

Befolgung



Dieses Produkt paßt sich an das EMC richtungweisendes 89/336/EEC und die Niederspannung richtungweisendes 73/23/EEC an. Die komplette Erklärung der Übereinstimmung ist von Ohaus Corporation vorhanden

Entsorgung

In Übereinstimmung mit den Anforderungen der Europäischen Richtlinie 2002/96 EG über Elektro- und Elektronik-Altgeräte (WEEE) darf dieses Gerät nicht mit dem Hausmüll entsorgt werden. Sinngemäss gilt dies auch für Länder ausserhalb der EU entsprechend den geltenden nationalen Regelungen.



Bitte entsorgen Sie dieses Produkt gemäss den örtlichen Bestimmungen in einer getrennten Sammlung für Elektro- und Elektronikgeräte.

Bei allfälligen Fragen wenden Sie sich bitte an die zuständige Behörde oder den Händler, bei dem Sie dieses Gerät erworben haben.

Bei Weitergabe dieses Gerätes (z.B. für private oder gewerbliche/industrielle Weiternutzung) ist diese Bestimmung sinngemäss weiterzugeben.

Vielen Dank für Ihren Beitrag zum Schutz der Umwelt.

Registrierung nach ISO 9001

Im Jahr 1994 wurde der Ohaus Corporation, USA, ein Zertifikat der Registrierung nach ISO 9001 vom Bureau Veritas Quality International (BVQI) verliehen, in dem bestätigt wird, dass das Ohaus-Qualitätsmanagementsystem den Anforderungen der Norm ISO 9001 entspricht. Am 15. Mai 2003 wurde die Ohaus Corporation, USA, gemäß der Norm ISO 9001:2000 neu registriert.

Conformità



Questo prodotto è conforme al EMC 89/336/EEC direttivo e la bassa tensione 73/23/EEC direttivo. La dichiarazione completa di conformità è disponibile da Ohaus Corporation.

Smaltimento

In conformità a quanto stabilito dalla Direttiva Europea 2002/96 CE in materia di apparecchi elettrici ed elettronici (RAEE), questo strumento non può essere smaltito come i normali rifiuti. Tale presupposto resta valido anche per i Paesi al di fuori dei confini della UE, conformemente alle norme nazionali in vigore.



Si prega quindi di smaltire questo prodotto separatamente e in modo specifico secondo le disposizioni locali relative alle apparecchiature elettriche ed elettroniche.

Per qualsiasi chiarimento, rivolgersi agli enti preposti o al rivenditore dell'apparecchiatura stessa.

In caso di cessione dello strumento (per es. per ulteriore utilizzo privato o aziendale/industriale), si prega di comunicare anche questa disposizione.

Si ringrazia per il contributo alla tutela dell'ambiente.

Registrazione ISO 9001

Nel 1994, Ohaus Corporation, USA, ha ricevuto il certificato di registrazione ISO 9001 da Bureau Veritas Quality International (BVQI), come conferma che il sistema di gestione della qualità Ohaus risponde alle caratteristiche standard di ISO 9001. Il 15 Maggio 2003, Ohaus Corporation, USA, è stata reregistrata per la normativa ISO 9001:2000.

INTRODUCTION

This manual contains installation, operation and maintenance instructions for the VE Series Floor Scale.

SAFETY PRECAUTIONS



Please follow these safety precautions:

- Never operate in hazardous areas.
- For VE Series models ending with S, M, or L, (Painted Steel versions) – These models may be used in dry environments only.
- For VE Series models ending with SW, MW, or LW, (Stainless Steel versions) – These models may be used in wet or dry environments.
- The foundation at the installation site must be capable of safely supporting the weight of the floor scale plus the weight of the maximum load.
- Ensure that vibrations due to machines near the installation site are kept to a minimum. This applies also when the floor scale is integrated into conveying systems.

INSTALLATION

CAUTION: THE FLOOR SCALE IS VERY HEAVY, ALWAYS USE AN APPROPRIATE HOIST TO LIFT IT FROM THE PACKAGING OR TO MOVE IT INTO THE REQUIRED POSITION.



Unpacking

1. Remove the outer packaging materials from the top and sides of the floor scale.
2. Install the two included eye bolts into opposing sides of the floor scale, see Figure 1.
3. Lift the floor scale from the packaging material, see caution notice.

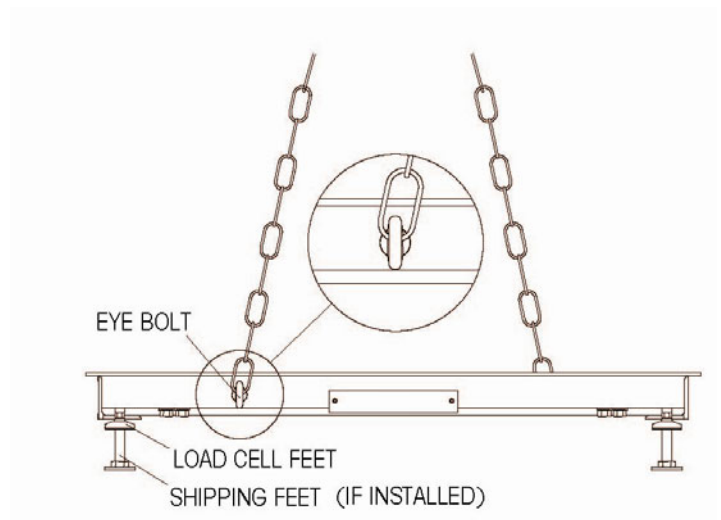


Figure 1. Hoisting Method.

Positioning

Ensure the surface is flat in the area where the scale will be positioned, especially in the region of the load cell feet. Small differences in height can be compensated by adjusting the load cell feet.

1. If an Indicator is included with the floor scale ensure that it is kept with the floor scale during positioning as there may be an attached connecting cable.
2. With the floor scale positioned over the final work area, remove the 4 shipping feet (if installed).
3. Install the 4 load cell feet (if not already installed).
4. Lower the scale on to the final work area.
5. Check that the floor scale is level; check that the 4 feet are in contact with the floor; make adjustments by rotating the nuts on the load cell feet. Use an external level.
6. Ensure that the floor scale's output cable does not become trapped or crushed during lifting or positioning.

Certifiable Installations

When used in certifiable applications at least one set of Foot Plates must be installed, (available separately). Foot Plates mount around the feet of the Floor Scale and prevent movement of the scale. Installation of Foot Plates must be done before final placement of the Floor Scale. Refer to the section on Accessories for Foot Plate installation.

Connecting an Indicator

Certain Floor Scale systems will have an Indicator already attached to the cable end. If the Indicator is not attached or if the Indicator is purchased separately follow the steps listed below to make the proper connections.

1. Route the Floor Scale cable to the position where the Indicator will be mounted.
2. Consult the installation instructions of the Indicator to properly attach the cable connections inside the Indicator,
3. The Signal names of the Floor Scale wires are shown in Table 1, Floor Scale Wiring Color Code.

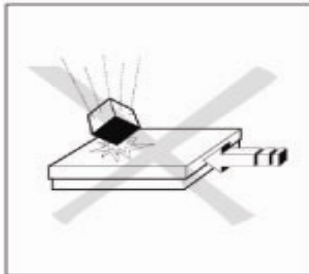
CAUTION: Ensure that the cable is protected against possible damage when routed to the Indicator.

TABLE 1. FLOOR SCALE WIRING COLOR CODE

Indicator Signal Name	Floor Scale Wire Color
EXC+ (IN+)	Green
SEN+	Yellow
SIG+ (OUT+)	White
SIG- (OUT-)	Red
SEN-	Blue
EXC- (IN-)	Black
Shield (GND)	Yellow/Green

OPERATION

For setup, calibration and proper operation, refer to the instruction manual supplied with the indicator. Refer to the specifications section of the floor scale for capacity, and readability information.



For continued best operating performance:

- Avoid falling loads, shocks and hard lateral impacts
- When weighing, all items should be centrally located on the floor scale and not overhanging the sides or the ramps.
- Verify the calibration of the floor scale system at regular intervals.

Operating Limits

Although the floor scales have extremely rugged construction, certain load limits must not be exceeded. Depending on the type of loading, the maximum safe static load, i.e. the maximum admissible loading, is shown in Table 2.

TABLE 2. MAXIMUM ADMISSIBLE LOADING.

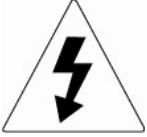
Model	Maximum Central load ¹ (80% Surface Area)	Maximum Side load ² (30% Surface Area)	One Side Corner Load ³ (10% Surface Area)
VE1500S/R/L	2500 kg	1500 kg	1000 kg
VE3000R/L	3800 kg	1800 kg	1200 kg
VE1500SW/RW/LW	2500 kg	1500 kg	1000 kg
VE3000RW/LW	3800 kg	1800 kg	1200 kg

MAINTENANCE

Daily Checks

- Check that the rocker feet are properly seated in the holes of each load cell.
- Check that the 4 feet are in contact with the floor.
- Check that the scale is free from debris, especially under the edges of the scale.
- Check that there is no damage to the connecting cable.

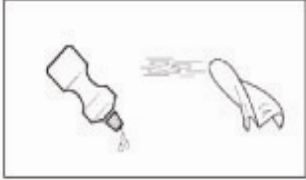
Cleaning



Risk of Electrical Shock

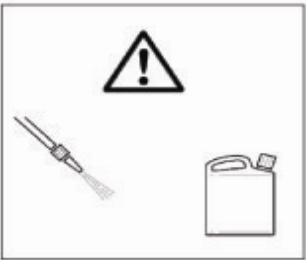
Disconnect the power source before cleaning the scale with any liquids.

Maintenance of the floor scale is limited to regular cleaning.



Cleaning VE-S/R/L models, (Painted Steel version) in a dry environment:

- Wipe surfaces with a damp cloth.
- Use only common household cleaning agents.
- Never use water spray or high pressure cleaners.



Cleaning the VE-SW/RW/LW models, (Stainless Steel version) in a wet environment:

- Water jets up to 60°C
- Use only common household cleaning agents.
- Ensure that corrosive substances are removed at regular intervals.

All models, when using optional Ramps or Foot Plates:

- Keep the air gap at the edge of the Floor Scale free of debris.

TECHNICAL DATA**Specifications****TABLE 3. FLOOR SCALE SPECIFICATIONS**

Floor Scale Models	VE1500S/SW	VE1500R/RW / VE3000R/RW	VE1500L/LW / VE3000LW/LW
Dimensions	1,000 x 1,000 x 90mm	1,250 x 1,250 x 90 mm	1,500 x 1,500 x 90 mm
Capacity	1500 kg	1500 kg / 3000 kg	1500 kg / 3000 kg
Operating Temperature / Humidity	-10 °C to 40 °C / 0% to 95% Relative Humidity, Non-Condensing		
Emin	0.5 kg	0.5 kg / 1 kg	0.5 kg / 1 kg
Material, VE-S/M/L Models	Painted Carbon Steel, treaded surface, fixed top plate		
Net Weight, VE-S/M/L Models	83 kg	123 kg	170 kg
Material, VE- SW/MW/LW Models	Stainless Steel (AISI 304), sand blasted, flat surface, fixed top plate		
Net Weight, VE-SW/MW/LW Models	68 kg	101 kg	134 kg
Feet	4 x swivel design, rubber bottom, adjustable height		
Load Cells	4 x Shear Beam, Alloy Steel, OIML C3		
Load Cell Capacity Emax	1000 kg	1000 kg / 1500 kg	1000 kg / 1500 kg
Load Cell Safe Overload Limit	120% of Emax		
Load Cell Output Impedance	350 Ω ± 3.5 Ω		
Load Cell Excitation Voltage	5V ~15V, DC/AC		
Junction Box	Rear panel access, IP65, Stainless Steel, with 5 m Cable		

DRAWINGS

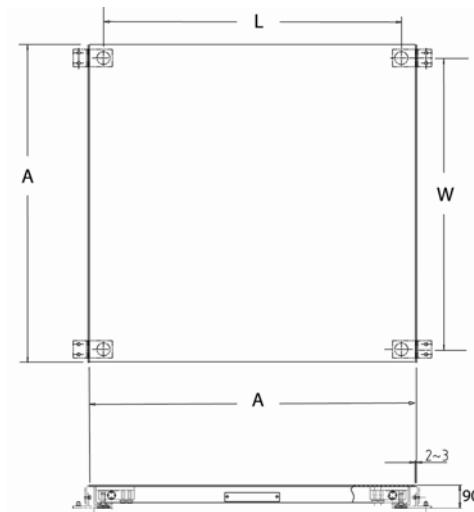


Figure 2. Floor Scale Dimensions, (Shown with optional Foot Plates)

TABLE 4. FLOOR SCALE DIMENSIONS

MODELS	DIMENSIONS (mm)		
	FLOOR SCALE PLATFORM	FOOT CENTERS	
	A	W	L
VE1500S/SW	1000	890	890
VE1500R/RW, VE3000R/RW	1250	1140	1140
VE1500L/LW, VE3000L/LW	1500	1390	1390

ACCESSORIES

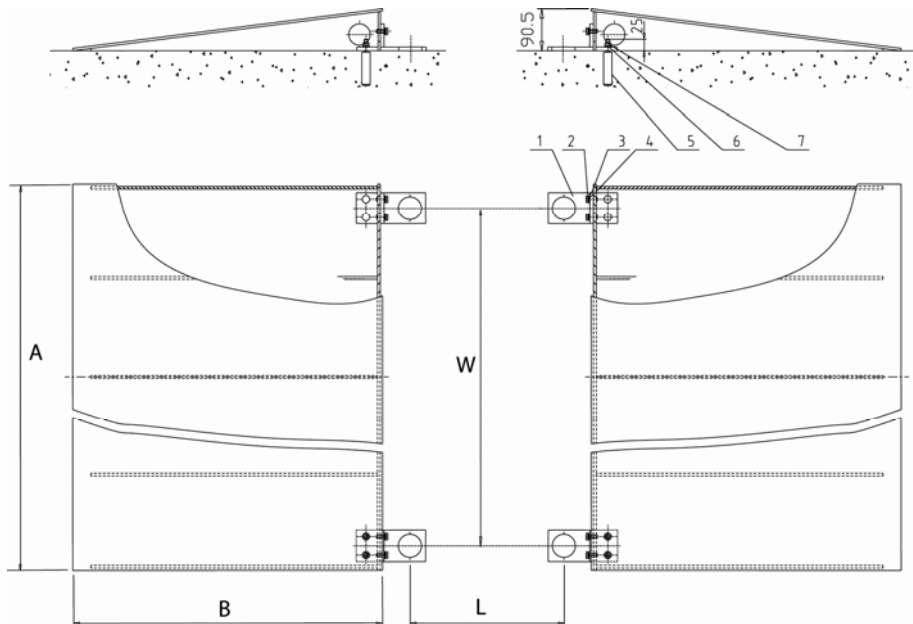
TABLE 5. LIST OF ACCESSORIES

Item	Part Number
Foot Plate Kit, Painted Steel, for VE1500S/M/L	72198344
Foot Plate Kit, Stainless Steel, for VE1500SW/MW/LW	72198345
Ramp Kit, Painted Steel, 1 m, for VE1500S	72198338
Ramp Kit, Painted Steel, 1.25 m, for VE1500R, VE3000R	72198339
Ramp Kit, Painted Steel, 1.5 m, for VE1500SW	72198340
Ramp Kit, Stainless Steel, 1 m, for VE1500SW	72198341
Ramp Kit, Stainless Steel, 1.25 m, for VE1500RW, VE3000RW	72198342
Ramp Kit, Stainless Steel, 1.5 m, for VE1500LW, VE3000LW	72198343

Notes: 1. Foot Plate Kits include 2 Foot Plates, Mounting Hardware
 2. Ramp Kits include 1 Ramp, 2 Foot Plates, Mounting Hardware

VE SERIES FLOOR SCALE, INSTALLATION OF OPTIONAL FOOT PLATES AND RAMPS

Plates are required for certifiable installations. Installation of each Ramp also requires the installation of one set of Foot Plates. Foot Plates are available separately and are included with the Ramp accessory kit. Refer to Figure 3 for mounting of the Foot Plates and Ramps. Installation of Floor Plates and Ramps must be done before final placement of the Floor Scale.



LEGEND: 1. Foot Plate, 2. Bolt, 3. Spring Washer, 4. Washer, 5. Expanding Bolt, 6. washer, 7. Nut

Figure 3. Optional Foot Plate and Ramp Installation

- Notes:
1. Expanding bolts require 12.5mm diameter holes drilled 60mm deep into the floor surface.
 2. Foot Plate center to center dimensions W and L are shown in Table 4.
 3. The Floor Scale must be positioned so that the load cell feet rest within the large holes of the Foot Plates.
 4. Ensure that a free air gap exists between the sides of the Floor Scale and the edges of the Ramps.

TABLE 6. DIMENSIONS FOR FLOOR PLATE AND RAMP INSTALLATION

MODELS	DIMENSIONS (mm)			
	RAMP		FOOT PLATE CENTERS	
	A	B	W	L
Ramp for VE1500S/SW	1000	670	890	890
Ramp for VE1500R/RW & VE3000R/RW	1250	670	1140	1140
Ramp for VE1500L/LW & VE3000L/LW	1500	670	1390	1390

Warranty

Ohaus products are warranted against defects in materials and workmanship from the date of delivery through the duration of the warranty period. During the warranty period Ohaus will repair, or, at its option, replace any component(s) that proves to be defective at no charge, provided that the product is returned, freight prepaid, to Ohaus.

This warranty does not apply if the product has been damaged by accident or misuse, exposed to radioactive or corrosive materials, has foreign material penetrating to the inside of the product, or as a result of service or modification by other than Ohaus. In lieu of a properly returned warranty registration card, the warranty period shall begin on the date of shipment to the authorized dealer. No other express or implied warranty is given by Ohaus Corporation. Ohaus Corporation shall not be liable for any consequential damages.

As warranty legislation differs from state to state and country to country, please contact Ohaus or your local Ohaus dealer for further details.

INTRODUCCIÓN

Este manual contiene instrucciones para la instalación, operación y mantenimiento de la báscula para piso de la serie VE.

PRECAUCIONES DE SEGURIDAD



Siga estas precauciones de seguridad:

- Nunca opere en áreas peligrosas.
- Para los modelos que terminan en S, M o L (versiones en acero pintado): estos modelos sólo pueden usarse en ambientes secos.
- Para los modelos que terminan en SW, MW o LW (versiones en acero inoxidable): estos modelos pueden usarse en ambientes secos o húmedos.
- El cimiento del lugar donde se va a instalar debe ser capaz de soportar con seguridad el peso de la báscula para plataformas de carga en U además del peso de la carga máxima.
- Asegúrese de que las vibraciones causadas por las máquinas que se encuentren cerca de la báscula se mantengan al mínimo. Esto también aplica si la báscula está integrada en sistemas de transporte con correas.

INSTALACIÓN



PRECAUCIÓN: LA BÁSCULA PARA PISO ES MUY PESADA; USE SIEMPRE UN ELEVADOR ADECUADO PARA LEVANTARLA DEL EMBALAJE O MOVERLA A LA POSICIÓN REQUERIDA.

Desembalaje

1. Retire los materiales de embalaje externo de la parte superior y lados de la báscula de piso.
2. Instale los dos pernos de argolla incluidos en lados opuestos de la báscula como en la Figura 1.
3. Levante la báscula del material de embalaje; lea la nota de precaución.

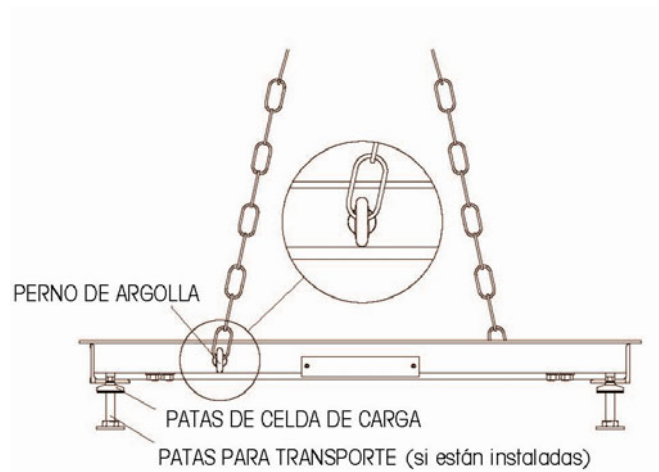


Figura 1. Método de levantamiento.

Posicionamiento

Cerciórese de que la superficie sea plana en el área donde va a colocar la báscula, especialmente en el área de las patas para la celda de carga. Las pequeñas diferencias en altura pueden ajustarse con las patas para la celda de carga.

1. Si la báscula de piso contiene un indicador, cerciórese de que se mantenga con la báscula durante el posicionamiento, ya que puede haber un cable de conexión fijado.
2. Con la báscula colocada en el área definitiva de trabajo, retire las cuatro patas de transporte (si están instaladas).
3. Instale las cuatro patas para celda de carga (si no están instaladas ya).
4. Baje la báscula al área definitiva de trabajo.
5. Verifique que la báscula de piso esté nivelada; revise que las cuatro patas hagan contacto con el piso; haga ajustes mediante las tuercas que están en las patas de la celda de carga. Utilice un nivelador externo.
6. Cerciórese de que el cable de salida de la báscula no quede atrapado o aplastado durante el levantamiento o el posicionamiento.

Instalaciones certificables

Cuando se use en aplicaciones certificables, por lo menos un juego de placas debe instalarse (disponibles aparte). Las placas para patas se montan alrededor de las patas de la báscula de piso y evitan el movimiento de la báscula. La instalación de las placas para patas debe hacerse antes de la colocación definitiva de la báscula para piso. Consulte la sección de accesorios para la instalación de dichas placas.

Conexión del indicador

Ciertos sistemas de básculas para piso cuentan con un indicador ya fijo en el extremo del cable. Si el indicador no está fijo o si se compra por separado, siga los pasos indicados a continuación para hacer las conexiones correspondientes.

1. Instale el cable de la báscula hasta la posición donde el indicador será montado.
2. Consulte las instrucciones de instalación para fijar correctamente las conexiones del cable dentro del indicador.
3. Los nombres de las señales de los cables de la báscula se muestran en la Tabla 1, Códigos de color de los cables de la báscula para piso.

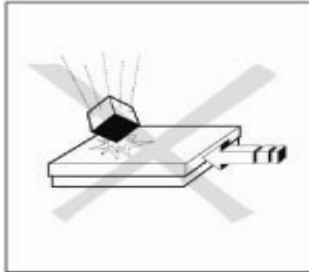
PRECAUCIÓN: Verifique que el cable quede protegido contra posibles daños cuando lo instale en el trayecto hacia el indicador.

TABLA 1. CÓDIGOS DE COLOR DE LOS CABLES DE LA BÁSCULA PARA PISO

Nombre de la señal del indicador	Color de cable de la báscula
EXC+ (IN+)	Verde
SEN +	Amarillo
SIG+ (OUT+)	Blanco
SIG- (OUT-)	Rojo
SEN-	Azul
EXC- (IN-)	Negro
Blindaje (GND)	Verde/amarillo

OPERACIÓN

Consulte las instrucciones de configuración, calibración y operación adecuada en el manual proporcionado con el indicador. Consulte en la sección de especificaciones información sobre la capacidad y capacidad de lectura de la báscula para piso.



Para el mejor desempeño de operación continua:

- Evite dejar caer cargas, los golpes y los impactos laterales
- Cuando pese, todos los artículos deben estar centrados en el marco de la báscula y no sobresalir de los lados de las rampas.
- Verifique la calibración del sistema de la báscula periódicamente.

Límites de operación

Las básculas para piso tienen una construcción extremadamente fuerte, pero hay ciertos límites de carga que no deben excederse. Dependiendo del tipo de carga, la carga estática máxima segura, es decir, la carga máxima permitida, se muestra en la Tabla 2.

TABLA 2. CARGA MÁXIMA PERMITIDA.

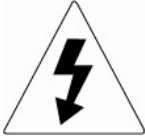
Modelo	Carga central máxima ¹ (80% Área Superficial)	Carga lateral máxima ² (30% Área Superficial)	Carga de la esquina máxima ³ (10% Área Superficial)	
VE1500S/R/L	2500 kg	1500 kg	1000 kg	
VE3000R/L	3800 kg	1800 kg	1200 kg	
VE1500SW/RW/LW	2500 kg	1500 kg	1000 kg	
VE3000RW/LW	3800 kg	1800 kg	1200 kg	

MANTENIMIENTO

Revisiones diarias

- Revise que las patas de balanceo estén sentadas correctamente en los orificios de cada celda de carga.
- Revise que las cuatro patas hagan contacto con el piso.
- Revise que la báscula esté libre de residuos, especialmente debajo de sus bordes.
- Revise que el cable de conexión no esté dañado.

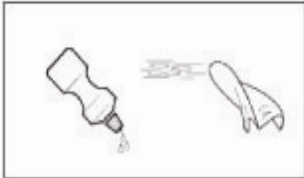
Limpieza



Riesgo de descarga eléctrica

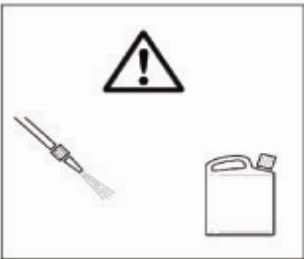
Desconecte la fuente de energía antes de limpiar la báscula con cualquier líquido.

El mantenimiento de la báscula para piso se limita a la limpieza normal.



Limpieza de los modelos VE-S/R/L (versión en acero pintado) en ambientes secos:

- Limpie las superficies con una tela húmeda.
- Utilice agentes de limpieza domésticos comunes.
- Nunca utilice rocío de agua ni limpiadores a alta presión.



Limpieza de los modelos VE-SW/RW/LW (versión en acero inoxidable) en ambientes húmedos:

- Agua a presión hasta a 60 °C.
- Utilice agentes de limpieza domésticos comunes.
- Asegúrese de remover con cierta frecuencia las sustancias corrosivas.

En todos los modelos, cuando use rampas o placas para patas opcionales:

- Mantenga el espacio de aire en el borde de la báscula para piso libre de residuos.

DATOS TÉCNICOS

Especificaciones

TABLE 3. ESPECIFICACIONES DE LA BÁSCULA PARA PISO

Modelos de báscula para piso	VE1500S/SW	VE1500R/RW / VE3000R/RW	VE1500L/LW / VE3000LW/LW
Dimensiones	1,000 x 1,000 x 90mm	1,250 x 1,250 x 90 mm	1,500 x 1,500 x 90 mm
Capacidad	1500 kg	1500 kg / 3000 kg	1500 kg / 3000 kg
Temperatura y humedad de operación	-10 °C a 40 °C / Humedad relativa de 0% a 95%, no condensante		
Capacidad mínima de seguridad	0.5 kg	0.5 kg / 1 kg	0.5 kg / 1 kg
Material, modelos VE-S/M/L	Acero al carbono pintado, superficie tratada, placa superior fija		
Peso neto, modelos VE-S/M/L	83 kg	123 kg	170 kg
Material, modelos VE-SW/MW/LW	Acero inoxidable (AISI 304), pulido a chorro de arena, superficie plana, placa superior fija		
Peso neto, modelos VE-SW/MW/LW	68 kg	101 kg	134 kg
Patas	4 con diseño giratorio, extremo inferior de goma, altura ajustable		
Celdas de carga	4 con rayo cortante, acero de aleación, OIML C3		
Capacidad máxima de seguridad de la celda de carga	1000 kg	1000 kg / 1500 kg	1000 kg / 1500 kg
Límite de sobrecarga de seguridad de la celda de carga	120% de la capacidad máxima de seguridad		
Impedancia de salida de celda de carga	350 Ω \pm 3.5 Ω		
Voltaje de excitación de la celda de carga	5 V ~15 V, DC/AC		
Caja de conexiones	Acceso por panel posterior, IP65, acero inoxidable, cable de 5 m		

DIBUJOS

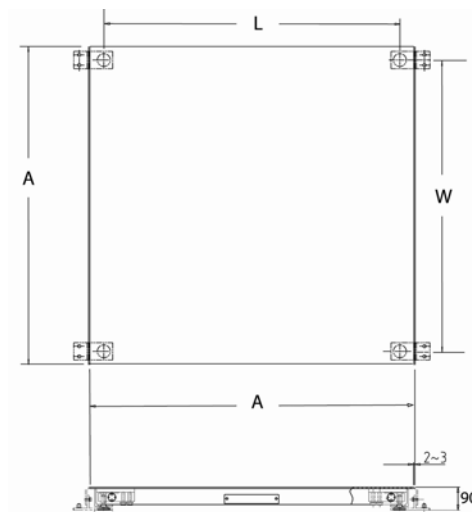


Figura 2. Dimensiones de la báscula para piso (se muestran con placas para patas opcionales)

TABLA 4. DIMENSIONES DE LA BÁSCULA PARA PISO

MODELOS	DIMENSIONES (mm)		
	PLATAFORMA DE BÁSCULA PARA PISO	CENTROS DE PATA	
	A	W	L
VE1500S/SW	1000	890	890
VE1500R/RW, VE3000R/RW	1250	1140	1140
VE1500L/LW, VE3000L/LW	1500	1390	1390

ACCESORIOS

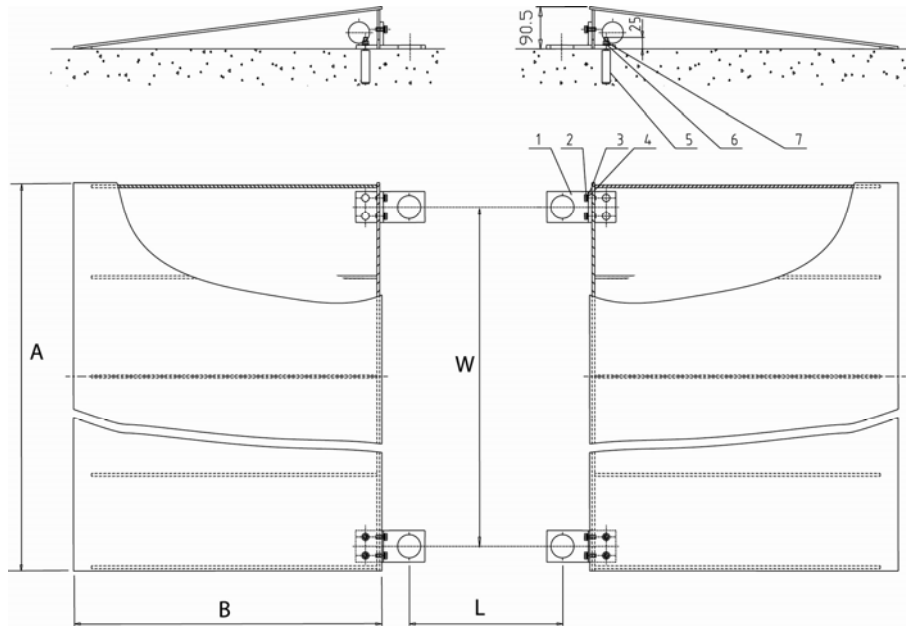
TABLA 5. LISTA DE ACCESORIOS

Artículo	No. de parte
Juego de placas para patas, acero pintado, para VE1500S/M/L	72198344
Juego de placas para patas, acero inoxidable, para VE1500SW/MW/LW	72198345
Juego de rampa, acero pintado, 1 m, para VE1500S	72198338
Juego de rampa, acero pintado, 1.25 m, para VE1500R, VE3000R	72198339
Juego de rampa, acero pintado, 1.5 m, para VE1500SW	72198340
Juego de rampa, acero inoxidable, 1 m, para VE1500SW	72198341
Juego de rampa, acero inoxidable, 1.25 m, para VE1500RW, VE3000RW	72198342
Juego de rampa, acero inoxidable, 1.5 m, para VE1500LW, VE3000LW	72198343

Notas: 1. Los juegos de placas para patas incluyen 2 placas para patas y accesorios metálicos para el montaje
 2. Los juegos de rampa incluyen 1 rampa, 2 placas para patas y accesorios metálicos para el montaje

BÁSCULA PARA PISO SERIE VE, INSTALACIÓN DE PLACAS PARA PATAS Y RAMPAS OPCIONALES

Las placas se requieren en instalaciones certificables. La instalación de cada rampa también requiere de la instalación de un juego de placas para patas. Las placas para patas se venden en forma separada y se incluyen en el juego de accesorios de la rampa. Consulte en la Figura 3 la instalación de las placas para patas y rampas. La instalación de las placas para patas y rampas debe hacerse antes de la colocación definitiva de la báscula para piso.



LEYENDA: 1.Placa para pata, 2. Perno, 3. Roldana con resorte, 4. Roldana, 5. Perno de expansión, 6. Roldana, 7. Tuerca

Figura 3. Instalación de placas para patas y rampas opcionales

- Notas:
1. Los pernos de expansión requieren orificios de 12.5 mm de diámetro perforados a 60 mm de profundidad en el piso.
 2. Las dimensiones ancho (W) y largo (L) de centro a centro de las placas para piso se muestran en la Tabla 4.
 3. La báscula para piso debe colocarse de manera tal que las patas de las celdas de carga se apoyen dentro de los orificios grandes de las placas para patas.
 4. Cerciórese de que exista un espacio de aire libre entre los lados de la báscula y los bordes de las rampas.

TABLA 6. DIMENSIONES PARA LA INSTALACIÓN DE PLACAS PARA PATAS Y RAMPAS

MODELOS	DIMENSIONES (mm)			
	RAMPA		CENTROS DE LAS PLACAS PARA PATAS	
	A	B	W	L
Rampa para VE1500S/SW	1000	670	890	890
Rampa para VE1500R/RW y VE3000R/RW	1250	670	1140	1140
Rampa para VE1500L/LW y VE3000L/LW	1500	670	1390	1390

Garantía

Los productos de Ohaus están garantizados contra defectos de materiales y fabricación desde la fecha de entrega y durante el tiempo que dure la garantía. Durante el periodo de garantía Ohaus reparará, o, a su discreción, reemplazará cualquier componente(s) que se compruebe que está defectuoso, sin costo alguno, con la condición de que el producto sea devuelto, flete pagado, a Ohaus.

Esta garantía no es válida si el producto ha sufrido daños por accidente o mal uso, expuesto a materiales radioactivos o corrosivos, presenta materiales extraños penetrando al interior del producto, o si ha sido objeto de modificaciones por parte de personas que no sean de Ohaus. En el lugar de una tarjeta de registro de garantía devuelta debidamente, el periodo de garantía comenzará en la fecha de envío al distribuidor autorizado. Ohaus Corporation no otorga ninguna otra garantía expresa o implícita. Ohaus Corporation no se hace responsable de cualquier daño fortuito.

Puesto que la legislación sobre garantías difiere de un estado a otro así como de un país a otro, comuníquese con su distribuidor local de Ohaus para mayor información

INTRODUCTION

Ce manuel contient des instructions d'installation, de fonctionnement et de maintenance des balances au sol de la série VE.

CONSIGNES DE SÉCURITÉ



Prière de respecter ces consignes de sécurité.

- Ne jamais utiliser dans des zones dangereuses.
- Pour les modèles de la série VE se terminant par S, M ou L, (versions en acier inoxydable) – Ces modèles peuvent être utilisés uniquement dans un environnement sec.
- Pour les modèles de la série VE se terminant par SW, MW ou LW, (versions en acier inoxydable) – Ces modèles peuvent être utilisés dans un environnement humide ou sec.
- La fondation du site d'installation doit être capable de supporter sécuritairement le poids de la balance au sol en sus du poids de la charge maximum.
- S'assurer que les vibrations résultant des machines situées près du site d'installation sont réduites au minimum. Il en est de même lorsque la balance au sol doit être intégrée dans des systèmes de transport.

INSTALLATION



ATTENTION : LA BALANCE AU SOL EST PARTICULIÈREMENT LOURDE. TOUJOURS UTILISER UN APPAREIL DE LEVAGE APPROPRIÉ POUR LA SORTIR DE L'EMBALLAGE OU LA DÉPLACER VERS LE LIEU D'INSTALLATION.

Déballage

1. Enlevez les matériaux d'emballage du dessus et des côtés de la balance au sol.
2. Installez les deux anneaux de levage inclus dans les côtés de la balance au sol, voir la Figure 1.
3. Sortez la balance au sol des matériaux d'emballage (voir les consignes de sécurité).

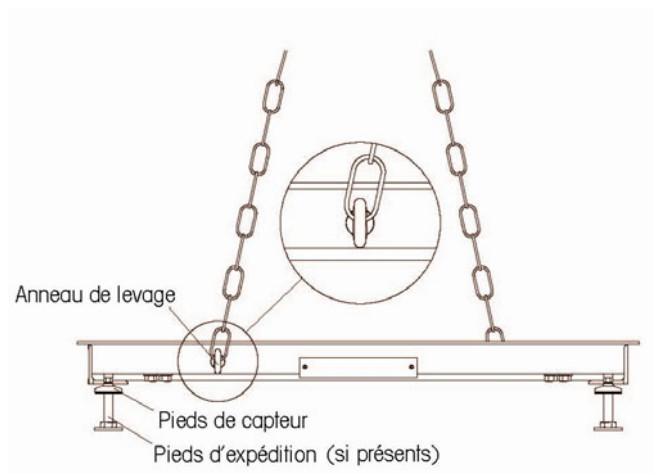


Figure 1 Méthodes de levage

Positionnement

Assurez-vous que la surface est plane à l'endroit où la balance doit être placée, plus particulièrement au niveau des pieds du capteur. Les légères différences en hauteur peuvent être compensées en réglant les pieds du capteur.

1. Si un indicateur est inclus avec la balance au sol, assurez-vous qu'il est maintenu avec la balance au sol pendant le positionnement puisqu'il peut y avoir un câble reliant les deux.
2. Avec la balance au sol placée sur la zone du travail final, enlevez les 4 pieds d'expédition (si présents).
3. Installez les 4 pieds du capteur (s'ils ne sont pas installés).
4. Abaissez la balance sur la zone de travail final.
5. Vérifiez que la balance au sol est à niveau, vérifiez que les 4 pieds se trouvent en contact avec le sol, effectuez les réglages en tournant les écrous sur les pieds du capteur. Utilisez un niveau externe.
6. Assurez-vous que le câble de sortie de la balance au sol n'est pas coincé ni écrasé pendant le levage ou le positionnement.

Installations certifiables

Lorsque cette balance est utilisée dans des applications certifiables, au moins un ensemble de plaques de pieds doit être installé (disponibles séparément). Les plaques des pieds sont installées autour des pieds de la balance au sol pour empêcher le mouvement de la balance. L'installation des plaques de pieds doit être effectuée avant le positionnement final de la balance au sol. Voir la section sur les Accessoires pour l'installation de la plaque des pieds.

Connexion d'un indicateur

Certains systèmes de balance au sol peuvent disposer d'un indicateur fixé à l'extrémité du câble. Si l'indicateur n'est pas fixé ou s'il a été acheté séparément, procédez selon les étapes ci-dessous pour effectuer les connexions appropriées.

1. Acheminez le câble de la balance au sol à l'endroit où l'indicateur doit être installé.
2. Consultez les instructions d'installation de l'indicateur pour fixer correctement les connexions du câble à l'intérieur de l'indicateur.
3. Les noms du signal des fils de la balance au sol sont indiqués dans le Tableau 1, Code couleur du câblage de la balance au sol.

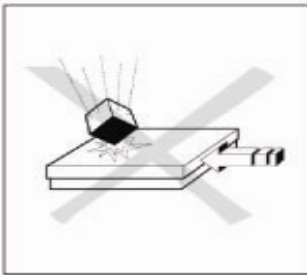
ATTENTION: Assurez-vous que le câble est protégé contre tout dommage lors de l'acheminement vers l'indicateur.

TABLEAU 1. CODE COULEUR DU CÂBLAGE DE LA BALANCE AU SOL

Nom signal indicateur	Couleur fil bal. au sol
EXC+ (IN+)	Vert
SEN+	Jaune
SIG+ (OUT+)	Blanc
SIG- (OUT-)	Rouge
SEN-	Bleu
EXC- (IN-)	Noir
Gaine (GND)	Jaune/vert

FONCTIONNEMENT

Pour obtenir de plus amples informations sur le montage, le calibrage et le fonctionnement appropriés, consultez la documentation qui accompagne l'indicateur. Voir les informations relatives à la capacité et à la précision dans la section des spécifications de la balance au sol.



Pour optimiser la performance :

- Ne pas faire tomber de charges, ne pas heurter ni faire subir d'impacts latéraux.
- Lors de la pesée, tous les articles doivent être placés de manière centrale sur la balance au sol et non suspendus sur les côtés ou les rampes.
- Vérifiez régulièrement le calibrage du système de la balance au sol.

Limites d'exploitation

Bien que les balances au sol aient une construction particulièrement solide, certaines limites de charge ne doivent pas être dépassées. En fonction du type de chargement, la charge statique sécuritaire maximum, à savoir la charge admissible maximum est indiquée dans le Tableau 2.

TABLEAU 2. CHARGEMENT ADMISSIBLE MAXIMUM.

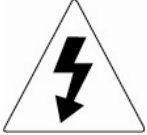
Modèle	Charge centrale max ¹ (80% Superficie)	Charge latérale max ² (30% Superficie)	Charge faisant le coin max ³ (10% Superficie)	
VE1500S/R/L	2500 kg	1500 kg	1000 kg	
VE3000R/L	3800 kg	1800 kg	1200 kg	
VE1500SW/RW/LW	2500 kg	1500 kg	1000 kg	
VE3000RW/LW	3800 kg	1800 kg	1200 kg	

MAINTENANCE

Vérifications journalières

- Vérifiez que les pieds à bascule sont correctement logés dans les orifices de chaque capteur.
- Vérifiez que les 4 pieds se trouvent en contact avec le sol.
- Vérifiez que la balance ne comporte pas de débris, plus particulièrement sous les rebords de la balance.
- Vérifiez que le câble de liaison n'est pas endommagé.

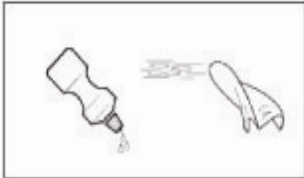
Nettoyage



Risque de chocs électriques

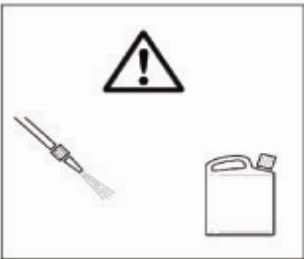
Débrancher la source d'alimentation avant de nettoyer la balance avec des liquides.

La maintenance de la balance au sol n'exige qu'un nettoyage régulier.



Nettoyage des modèles VE-S/R/L (version acier peint) dans un environnement sec.

- Nettoyez les surfaces avec un chiffon humide.
- Utilisez uniquement des agents domestiques nettoyants standard.
- N'utilisez jamais de pulvérisateurs d'eau ni de nettoyeurs sous pression élevée.



Nettoyage des modèles VE-SW/RW/LW (version acier inoxydable) dans un environnement humide.

- Jet d'eau jusqu'à 60 °C.
- Utilisez uniquement des agents domestiques nettoyants standard.
- Assurez-vous que les substances corrosives sont enlevées à des intervalles réguliers.

Tous les modèles, lorsque vous utilisez les rampes ou les plaques des pieds optionnelles :

- Dégagez les débris logés dans l'espace d'air sur le rebord de la balance au sol.

DONNÉES TECHNIQUES

Spécifications

TABLEAU 3. SPÉCIFICATIONS POUR LA BALANCE AU SOL

Modèles de balance au sol	VE1500S/SW	VE1500R/RW / VE3000R/RW	VE1500L/LW / VE3000LW/LW
Dimensions	1000 x 1000 x 90 mm	1250 x 1250 x 90 mm	1500 x 1500 x 90 mm
Capacité	1500 kg	1500 kg / 3 000 kg	1500 kg / 3 000 kg
Humidité / température de fonctionnement	-10 °C à 40 °C / 0 % à 95 % d'humidité relative, sans condensation		
Emin	0,5 kg	0,5 kg / 1 kg	0,5 kg / 1 kg
Matériaux, modèles VE-S/M/L	Acier au carbone peint, surface à reliefs, plaque supérieure fixée		
Poids net, modèles VE-S/M/L	83 kg	123 kg	170 kg
Matériaux, modèles VE- SW/MW/LW	Plaque en acier inoxydable (AISI 304), nettoyée au jet de sable, surface plane, plaque supérieure fixée		
Poids net, modèles VE-SW/MW/LW	68 kg	101 kg	134 kg
Pieds	4 x conception rotulée, dessous caoutchouté, hauteur réglable		
Capteurs	4 x poutre de cisaillement, acier allié, OIML C3		
Capacité de capteur Emax	1000 kg	1000 kg / 1500 kg	1000 kg / 1500 kg
Limite de surcharge sécuritaire de capteur	120 % de Emax		
Impédance de sortie de capteur	350 Ω \pm 3.5 Ω		
Tension d'excitation de capteur	5 V à 15 V, CC/CA		
Boîte de jonction	Accès par panneau arrière, IP65, acier inoxydable, avec câble de 5 m		

SCHÉMAS

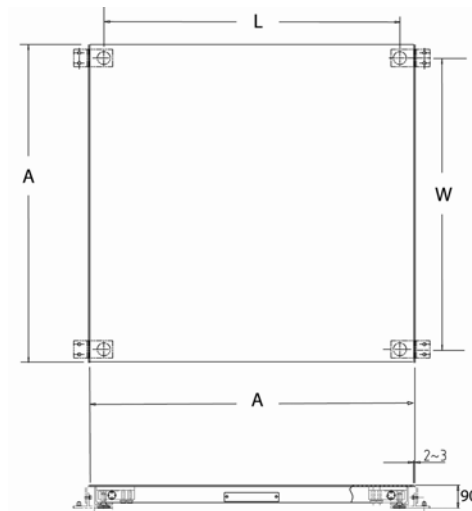


Figure 2. Dimensions de la balance au sol (illustrée avec les plaques de pieds optionnelles)

TABEAU 4. DIMENSIONS POUR LA BALANCE AU SOL

MODÈLES	DIMENSIONS (mm)		
	PLATE-FORME DE LA BALANCE AU SOL	CENTRES DES PIEDS	
	A	M	L
VE1500S/SW	1000	890	890
VE1500R/RW, VE3000R/RW	1250	1140	1140
VE1500L/LW, VE3000L/LW	1500	1390	1390

ACCESSOIRES

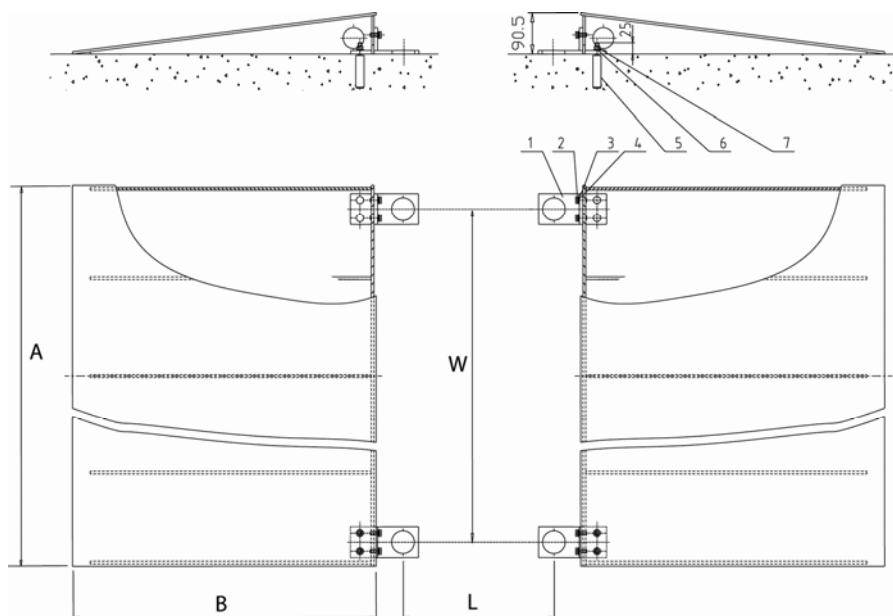
TABEAU 5. LISTE DES ACCESSOIRES

Article	N° de référence
Kit de plaques de pieds, acier peint, pour VE1500S/M/L	72198344
Kit de plaques de pieds, acier inoxydable, pour VE1500SW/MW/LW	72198345
Kit de rampe, acier peint, 1 m, pour VE1500S	72198338
Kit de rampe, acier peint, 1,25 m, pour VE1500R, VE3000R	72198339
Kit de rampe, acier peint, 1,5 m, pour VE1500SW	72198340
Kit de rampe, acier inoxydable, 1 m, pour VE1500SW	72198341
Kit de rampe, acier inoxydable, 1,25 m, pour VE1500RW, VE3000RW	72198342
Kit de rampe, acier inoxydable, 1,5 m, pour VE1500LW, VE3000LW	72198343

- Remarques : 1. Les kits de plaque de pieds incluent 2 plaques de pieds, quincaillerie de montage.
2. Les kits de rampe incluent 1 rampe, 2 plaques de pieds, quincaillerie de montage.

BALANCE AU SOL, SÉRIE VE - INSTALLATION DES PLAQUES DE PIEDS ET RAMPES OPTIONNELLES

Les plaques sont requises pour les installations certifiables. L'installation de chaque rampe requiert également celle d'un jeu de plaques de pieds. Les plaques de pieds sont disponibles séparément et sont incluses dans le kit d'accessoires de rampe. Voir le montage des plaques de pieds et des rampes sur la Figure 3. L'installation des plaques de pieds et des rampes doit être effectuée avant le positionnement final de la balance au sol.



LÉGENDE : 1. Plaque de pieds, 2. Boulon, 3. Rondelle à ressort, 4. Rondelle, 5. Boulon d'expansion, 6. Rondelle, 7. Écrou

Figure 3. Installation de plaques de pieds et rampe optionnelles

- Remarques:
1. Les boulons d'expansion requièrent des trous percés de 12,5 mm de diamètre et de 60 mm de profondeur dans la surface du sol.
 2. Les dimensions de la plaque des pieds du centre au centre W et L sont indiquées dans le Tableau 4.
 3. La balance au sol doit être placée de manière à ce que les pieds du capteur se trouvent dans les trous les plus gros des plaques des pieds.
 4. Assurez-vous qu'un espace d'air libre existe entre les côtés de la balance au sol et les bords des rampes.

TABLEAU 6. DIMENSIONS POUR L'INSTALLATION DE LA PLAQUE DES PIEDS ET DE LA RAMPE

MODÈLES	DIMENSIONS (mm)			
	RAMPE		CENTRES DES PLAQUES DE PIEDS	
	A	B	M	L
Rampe pour VE1500S/SW	1000	670	890	890
Rampe pour VE1500R/RW et VE3000R/RW	1250	670	1140	1140
Rampe pour VE1500L/LW et VE3000L/LW	1500	670	1390	1390

Garantie

Ohaus garantit que ses produits sont exempts de défauts matériels et de fabrication à compter de la date de livraison pendant toute la durée de la garantie. Selon les termes de cette garantie, Ohaus s'engage, sans frais de votre part, à réparer ou, selon son choix, remplacer toutes les pièces déterminées défectueuses, sous réserve que le produit soit retourné, frais payés d'avance, à Ohaus.

Cette garantie n'entre pas en vigueur si le produit a subi des dommages suite à un accident ou une utilisation erronée, a été exposé à des matériaux radioactifs ou corrosifs, contient des matériaux étrangers ayant pénétré à l'intérieur ou suite à un service ou une modification apportés par des techniciens autres que ceux d'Ohaus. En l'absence d'une carte d'enregistrement de garantie dûment remplie, la période de garantie commence à la date de l'expédition au revendeur agréé. Aucune autre garantie expresse ou implicite n'est offerte par Ohaus Corporation. En aucun cas, Ohaus Corporation ne peut être tenu responsable des dommages indirects.

Dans la mesure où les lois régissant les garanties varient d'un État à l'autre et d'un pays à l'autre, veuillez contacter Ohaus ou votre représentant local agréé Ohaus pour de plus amples informations.

EINLEITUNG

Dieses Handbuch enthält Anweisungen zur Installation, zum Betrieb und zur Wartung der Bodenwaage der VE-Serie.

SICHERHEITSVORKEHRUNGEN



Bitte befolgen Sie die folgenden Sicherheitsmaßnahmen:

- Die Waage auf keinen Fall in explosionsgefährdeten Bereichen betreiben.
- Für Modelle der VE-Serie, die mit dem Buchstaben S, M oder L enden (lackierte Stahlversionen) – Diese Modelle dürfen nur in trockenen Umgebungen eingesetzt werden.
- Für Modelle der VE-Serie, die mit den Buchstaben SW, MW oder LW enden (Edelstahlversionen) – Diese Modelle können in nassen und trockenen Umgebungen eingesetzt werden.
- Das Fundament am Installationsstandort muss das Gewicht der Bodenwaage sowie das Gewicht der maximalen Belastung tragen können.
- Stellen Sie sicher, dass Vibrationen aufgrund von in der Nähe aufgestellten Maschinen auf ein Mindestmaß reduziert werden. Dies gilt auch dann, wenn die Bodenwaage in Fördersysteme integriert ist.

INSTALLATION



VORSICHT: DIE BODENWAAGE IST SEHR SCHWER. STETS EINE ENTSPRECHENDE HEBEVORRICHTUNG VERWENDEN, UM SIE AUS DER VERPACKUNG ZU HEBEN ODER AN DEN ERFORDERLICHEN AUFSTELLUNGORT ZU TRANSPORTIEREN.

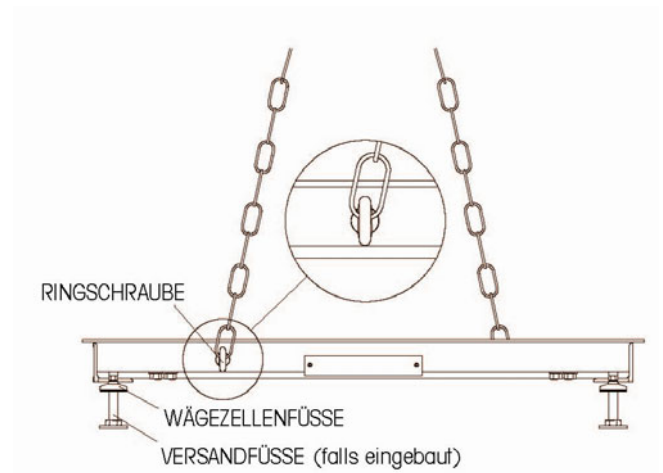


Abbildung 1. Hebemethode

Auspacken

1. Nehmen Sie die Außenverpackung oben und an den Seiten von der Bodenwaage ab.
2. Bauen Sie die im Lieferumfang enthaltenen Ringschrauben in die entgegengesetzten Seiten der Bodenwaage ein (siehe Abbildung 1).
3. Heben Sie die Bodenwaage vom Verpackungsmaterial ab; siehe Vorsichtshinweis.

Positionierung

Stellen Sie sicher, dass die Oberfläche im Bereich des Waagenaufstellungsortes, besonders im Bereich der Wägezellenfüße, flach ist. Kleinere Höhenunterschiede können durch die Justierung der Wägezellenfüße ausgeglichen werden.

1. Wenn im Lieferumfang der Bodenwaage ein Indikator enthalten ist, muss sichergestellt werden, dass er während der Positionierung dicht an der Waage bleibt, da er per Kabel mit der Waage verbunden sein kann.
2. Wenn die Bodenwaage am endgültigen Aufstellungsort positioniert ist, nehmen Sie die 4 Versandfüße ab (falls eingebaut).
3. Bauen Sie die 4 Wägezellenfüße ein (falls diese nicht bereits installiert sind).
4. Senken Sie die Waage auf den endgültigen Aufstellungsort ab.
5. Überprüfen Sie, ob die Bodenwaage eben positioniert ist; stellen Sie sicher, dass die 4 Füße alle den Boden berühren; Sie können durch Drehen der Muttern an den Wägezellenfüßen ggf. Einstellungen vornehmen. Verwenden Sie ein externes Nivelliergerät.
6. Stellen Sie sicher, dass das Ausgangskabel der Bodenwaage während des Anhebens oder der Positionierung sich nicht verfängt bzw. nicht gequetscht wird.

Zertifizierbare Installationen

Bei der Verwendung in zertifizierbaren Anwendungen muss mindestens ein Satz Fußplatten installiert werden (separat erhältlich). Fußplatten werden um die Füße der Bodenwaage herum installiert und verhindern eine Bewegung der Waage. Die Installation von Fußplatten muss vor der endgültigen Aufstellung der Bodenwaage erfolgen. Siehe den Abschnitt bezüglich Zubehör für die Installation von Fußplatten.

Anschließen eines Indikators

Bei bestimmten Bodenwaagensystemen ist ein Indikator bereits am Kabelende angeschlossen. Wenn der Indikator nicht angeschlossen ist oder wenn er separat erworben wird, führen Sie die nachstehenden Schritte aus, um die korrekten Anschlüsse herzustellen.

1. Führen Sie das Bodenwaagenkabel zur Position, an der der Indikator montiert wird.
2. Schlagen Sie in der Installationsanleitung des Indikators nach, um die richtigen Kabelanschlüsse im Indikator herzustellen.
3. Die Signalnamen der Bodenwaagendrähte sind in Tabelle 1, Verdrahtungsfarbcode der Bodenwaage, enthalten.

VORSICHT: Es muss sichergestellt werden, dass das Kabel bei der Führung zum Indikator vor möglichen Schäden geschützt wird.

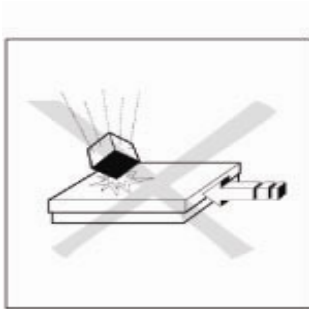
TABELLE 1. VERDRAHTUNGSFARBCODE FÜR BODENWAAGE

Signalname Indikator	Drahtfarbe Bodenwaage
EXC+ (IN+)	Grün
SEN+	Gelb
SIG+ (OUT+)	Weiß
SIG- (OUT-)	Rot
SEN-	Blau
EXC- (IN-)	Schwarz
Shield (GND)	Gelb/Grün

Bodenwaage der VE-Serie

BETRIEB

Informationen über die Einrichtung, Kalibrierung und den ordnungsgemäßen Betrieb finden Sie in der Bedienungsanleitung, die im Lieferumfang des Indikators enthalten war. Angaben zur Kapazität und Ablesbarkeit finden Sie im Abschnitt über die technischen Daten der Bodenwaage.



So gewährleisten Sie eine kontinuierliche optimale Leistung:

- Fallende Lasten, Stöße und starke seitliche Premeinwirkungen vermeiden
- Beim Wägebetrieb müssen alle Gegenstände mittig auf die Bodenwaage gebracht werden und dürfen nicht über die Seiten oder die Rampen hängen.
- Die Kalibrierung des Bodenwaagesystems in regelmäßigen Abständen überprüfen.

Betriebsgrenzen

Auch wenn die Bodenwaagen eine äußerst robuste Konstruktion aufweisen, dürfen gewisse Belastungsgrenzen nicht überschritten werden. Je nach Belastungstyp ist die maximale sichere statische Last, d. h. die maximal zulässige Belastung, in Tabelle 2 aufgeführt.

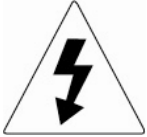
TABELLE 2. MAXIMALE ZULÄSSIGE BELASTUNG

Modell	Maximale mittige Last ¹ (80% Fläche).	Maximale Seitenlast ² (30% Fläche)	Maximale Ecklast ³ (10% Fläche)	
VE1500S/R/L	2.500 kg	1.500 kg	1.000 kg	
VE3000R/L	3.800 kg	1.800 kg	1.200 kg	
VE1500SW/RW/LW	2.500 kg	1.500 kg	1.000 kg	
VE3000RW/LW	3.800 kg	1.800 kg	1.200 kg	

WARTUNG

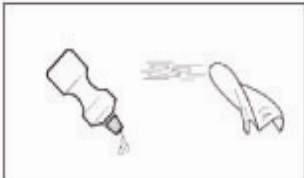
Tägliche Prüfungen

- Überprüfen Sie, ob die Pendelfüße richtig in den Löchern jeder Wägezelle sitzen.
- Stellen Sie sicher, dass die 4 Füße alle den Boden berühren.
- Überprüfen Sie, ob die Waage frei von Verschmutzungen ist, insbesondere unter den Kanten der Waage.
- Stellen Sie sicher, dass das Verbindungskabel nicht beschädigt ist.

Reinigung**Stromschlaggefahr**

Vor Reinigung der Waage mit irgendwelchen Flüssigkeiten muss das Gerät von der Stromquelle getrennt werden.

Die Wartung der Bodenwaage ist auf die regelmäßige Reinigung beschränkt.



Reinigung von VE-S/R/L-Modellen (lackierte Stahlversion) in einer trockenen Umgebung:

- Oberflächen mit einem feuchten Tuch abwischen.
- Nur gebräuchliche Haushaltsreinigungsmittel verwenden.
- Auf keinen Fall einen Wasserstrahl oder Hochdruckreiniger verwenden.



Reinigung der VE-SW/RW/LW-Modelle (Edelstahlversion) in einer nassen Umgebung:

- Mit Spritzwasser von bis zu 60 °C abspritzen.
- Nur gebräuchliche Haushaltsreinigungsmittel verwenden.
- Sicherstellen, dass korrodierende Stoffe regelmäßig entfernt werden.

Alle Modelle bei Verwendung von optionalen Rampen oder Fußplatten:

- Den Luftspalt an der Kante der Bodenwaage von Verschmutzungen frei halten.

TECHNISCHE DATEN

Spezifikationen

TABELLE 3. SPEZIFIKATIONEN DER BODENWAAGE

Bodenwaagenmodelle	VE1500S/SW	VE1500R/RW / VE3000R/RW	VE1500L/LW / VE3000LW/LW
Abmessungen	1000 x 1000 x 90 mm	1250 x 1250 x 90 mm	1500 x 1500 x 90 mm
Kapazität	1500 kg	1500 kg / 3.000 kg	1500 kg / 3.000 kg
Betriebstemperatur / Feuchtigkeit	-10 °C bis 40 °C / 0 % bis 95 % relative Feuchte, nicht kondensierend		
Emin	0,5 kg	0,5 kg / 1 kg	0,5 kg / 1 kg
Material, VE-S/M/L-Modelle	Lackierter unlegierter Stahl, Oberfläche mit Profil, fixierte Oberplatte		
Nettogewicht, VE-S/M/L-Modelle	83 kg	123 kg	170 kg
Material, VE- SW/MW/LW-Modelle	Edelstahl (AISI 304), sandgestrahlt, flache Oberfläche, fixierte Oberplatte		
Nettogewicht, VE-SW/MW/LW-Modelle	68 kg	101 kg	134 kg
Füße	4 x Schwenkdesign, Gummiunterseite, verstellbare Höhe		
Wägezellen	4 x Scherstäbe, Legierter Stahl, OIML C3		
Wägezellenkapazität Emax	1000 kg	1000 kg / 1500 kg	1000 kg / 1500 kg
Sichere Überlastgrenze der Wägezelle	120 % von Emax		
Ausgangsimpedanz Wägezelle	350 Ω ± 3.5 Ω		
Wägezellen-Erregungsspannung	5 V ~ 15 V, DC/AC		
Abzweigkasten	Rückplattenzugriff, IP65, Edelstahl, mit 5 m langem Kabel		

ZEICHNUNGEN

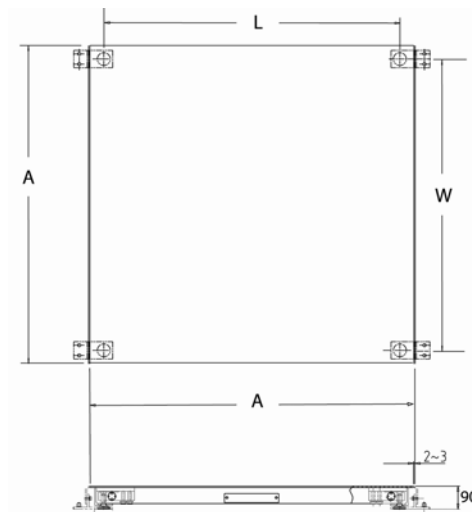


Abbildung 2. Abmessungen der Bodenwaage (mit optionalen Fußplatten dargestellt)

TABELLE 4. ABMESSUNGEN DER BODENWAAGE

MODELLE	ABMESSUNGEN (mm)		
	BODENWAAGENPLATTFORM	FUSSMITTE	
	A	W	L
VE1500S/SW	1000	890	890
VE1500R/RW, VE3000R/RW	1250	1140	1140
VE1500L/LW, VE3000L/LW	1500	1390	1390

ZUBEHÖR

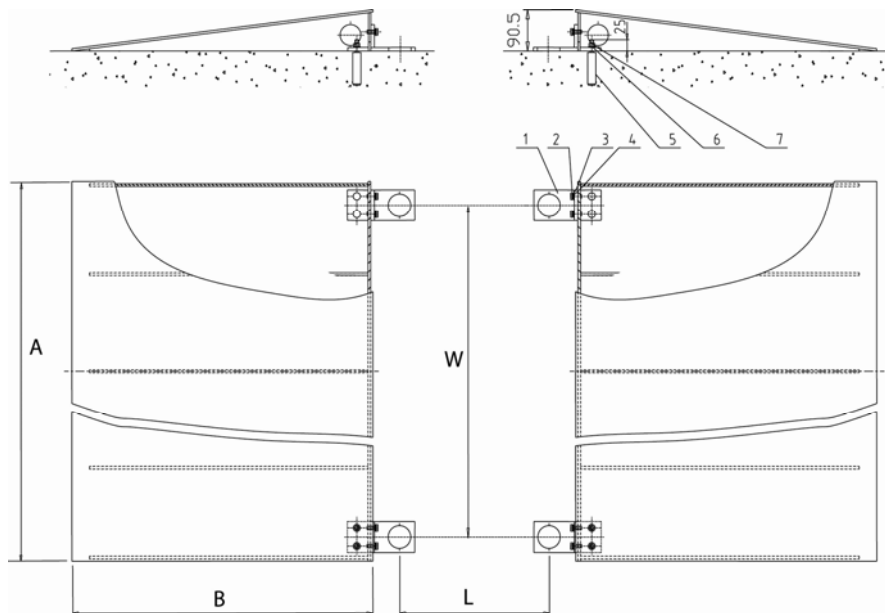
TABELLE 5. LISTE MIT ZUBEHÖR

Artikel	Teilenummer
Fußplattensatz, lackierter Stahl, für VE1500S/M/L	72198344
Fußplattensatz, Edelstahl, für VE1500SW/MW/LW	72198345
Rampensatz, lackierter Stahl, 1 m, für VE1500S	72198338
Rampensatz, lackierter Stahl, 1,25 m, für VE1500R, VE3000R	72198339
Rampensatz, lackierter Stahl, 1,5 m, für VE1500SW	72198340
Rampensatz, Edelstahl, 1 m, für VE1500SW	72198341
Rampensatz, Edelstahl, 1,25 m, für VE1500RW, VE3000RW	72198342
Rampensatz, Edelstahl, 1,5 m, für VE1500LW, VE3000LW	72198343

Anmerkungen: 1. Fußplattensätze enthalten 2 Fußplatten, Befestigungsmittel
 2. Rampensätze enthalten 1 Rampe, 2 Fußplatten, Befestigungsmittel

BODENWAAGE DER VE-SERIE, INSTALLATION VON OPTIONALEN FUSSPLATTEN UND RAMPEN

Die Platten sind für zertifizierbare Installationen vorgeschrieben. Zur Installation jeder Rampe ist auch die Installation eines Satzes Fußplatten erforderlich. Fußplatten sind separat erhältlich und im Rampenzubehörsatz enthalten. Zur Montage der Fußplatten und Rampen beziehen Sie sich bitte auf Abbildung 3. Die Installation von Fußplatten und Rampen muss vor der endgültigen Aufstellung der Bodenwaage erfolgen.



LEGENDE: 1. Fußplatte, 2. Schraube, 3. Federscheibe, 4. Unterlegscheibe, 5. Spreizstift, 6. Unterlegscheibe, 7. Mutter

Abbildung 3. Installation der optionalen Fußplatte und Rampe

- Anmerkungen:
1. Für die Spreizstifte müssen Löcher mit einem Durchmesser von 12,5 mm 60 mm tief in die Bodenoberfläche gebohrt werden.
 2. Die Mitte-Mitte-Abmessungen B und L der Fußplatte sind in Tabelle 4 aufgeführt.
 3. Die Bodenwaage muss so positioniert werden, dass die Wägezellenfüße in den großen Löchern der Fußplatten ruhen.
 4. Es muss sichergestellt werden, dass zwischen den Seiten der Bodenwaage und den Kanten der Rampen ein Luftspalt frei bleibt.

TABELLE 6. ABMESSUNGEN FÜR DIE INSTALLATION DER BODENPLATTEN UND RAMPEN

MODELLE	ABMESSUNGEN (mm)			
	RAMPE		FUSSPLATTENMITTEN	
	A	B	w	L
Rampe für VE1500S/SW	1000	670	890	890
Rampe für VE1500R/RW & VE3000R/RW	1250	670	1140	1140
Rampe für VE1500L/LW & VE3000L/LW	1500	670	1390	1390

Garantie

Auf Ohaus-Produkte wird ab Datum der Auslieferung über die Dauer des Garantiezeitraums hinweg eine Garantie gegen Material- und Herstellungsmängel gegeben. Während des Garantiezeitraums wird Ohaus kostenlos jegliche Komponente(n), die sich als defekt erweist (erweisen), reparieren oder nach eigenem Ermessen ersetzen, wenn das Produkt bei Vorauszahlung der Versandkosten an Ohaus zurückgeschickt wird.

Die Garantie gilt nicht, wenn das Produkt durch einen Unfall oder durch Missbrauch beschädigt wurde, wenn es radioaktiven oder korrodierenden Materialien ausgesetzt wurde, wenn Fremdkörper das Innere des Produkts durchdrungen haben oder wenn es auf Grund einer Reparatur oder Modifikation beschädigt wurde, die nicht von Ohaus durchgeführt wurde. Wenn keine ordnungsgemäß zurückgeschickte Garantierregistrierungskarte vorliegt, beginnt der Garantiezeitraum am Datum der Lieferung an den Vertragshändler. Die Ohaus Corporation gibt keine sonstige ausdrückliche oder stillschweigende Garantie. Die Ohaus Corporation ist nicht für irgendwelche Folgeschäden haftbar.

Da die Gesetzgebung in Bezug auf Garantien von Bundesstaat zu Bundesstaat und von Land zu Land unterschiedlich ist, wenden Sie sich bitte an Ohaus oder Ihren örtlichen Ohaus-Händler, wenn Sie weitere Einzelheiten erfahren wollen.

INTRODUZIONE

In questo manuale sono illustrati l'installazione, il funzionamento e la manutenzione per la bilancia da pavimento serie VE.

PRECAUZIONI DI SICUREZZA



Seguire queste precauzioni di sicurezza:

- Non utilizzare l'apparecchio in aree a rischio.
- I modelli della serie VE che terminano con S, M o L (versioni in acciaio verniciato), possono essere utilizzati solo in ambienti asciutti.
- I modelli della serie VE che terminano con SW, MW o LW (versioni in acciaio inossidabile), possono essere utilizzati sia in ambienti asciutti che in presenza di umidità.
- La struttura del luogo di installazione deve essere in grado di sostenere in sicurezza il peso della bilancia da pavimento a pieno carico.
- Accertarsi che le vibrazioni causate da macchinari vicini al luogo di installazione siano ridotte al minimo. Tali condizioni devono essere garantite anche quando la bilancia da pavimento è integrata in sistemi di trasporto.

INSTALLAZIONE



ATTENZIONE: LA BILANCIA DA PAVIMENTO È MOLTO PESANTE. PER IL SOLLEVAMENTO DALL'IMBALLAGGIO O PER LO SPOSTAMENTO NELLA POSIZIONE RICHIESTA, UTILIZZARE SEMPRE UN ARGANO.

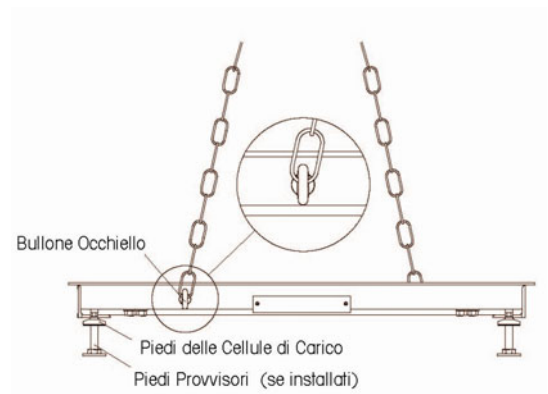


Figura 1. Metodo di sollevamento.

Disimballaggio

1. Rimuovere i materiali di imballaggio esterni dalla parte superiore e dai laterali della bilancia.
2. Inserire i due bulloni a occhiello forniti sui lati opposti della bilancia (vedere figura 1).
3. Sollevare la bilancia dal materiale di imballaggio, rispettando la nota di attenzione.

Posizionamento

Controllare che nell'area in cui verrà posizionata la bilancia la superficie sia piatta, soprattutto nella zona dei piedi delle celle di carico. Le piccole differenze in altezza possono essere compensate regolando i piedi.

1. Se con la bilancia da pavimento è incluso un indicatore, controllare che questo sia spostato sempre insieme alla bilancia perché potrebbe esservi un cavo di collegamento connesso.
2. Una volta collocata la bilancia nella posizione definitiva, rimuovere i quattro piedi provvisori, se installati.
3. Installare le quattro celle di carico, se non sono già installate.
4. Abbassare la bilancia nella posizione definitiva.
5. Verificare che la bilancia sia a livello con il pavimento; controllare che i quattro piedi siano a contatto con il pavimento; regolare ruotando i dadi sui piedi delle celle di carico. Utilizzare una livella.
6. Controllare che il cavo di uscita della bilancia non si impigli né che venga schiacciato durante il sollevamento o il posizionamento.

Installazioni certificabili

Per le applicazioni certificabili è necessario installare almeno un gruppo di piedini di regolazione, disponibili separatamente. Tali piedini vanno montati intorno ai piedi della bilancia per impedirne gli spostamenti accidentali. L'installazione dei piedini va eseguita prima del posizionamento definitivo della bilancia da pavimento. Consultare la sezione relativa agli accessori per l'installazione dei piedini di regolazione.

Collegamento di un indicatore

In alcuni sistemi di bilancia da pavimento l'indicatore è già collegato alla terminazione del cavo. Se non è così o se l'indicatore viene acquistato separatamente, attenersi alle istruzioni riportate di seguito per effettuare l'installazione corretta.

1. Orientare il cavo della bilancia verso la posizione in cui verrà montato l'indicatore
2. Consultare le istruzioni di installazione dell'indicatore per collegare correttamente le connessioni all'interno dell'indicatore
3. I nomi dei segnali della bilancia sono mostrati nella tabella 1, Codice colore per il cablaggio della bilancia

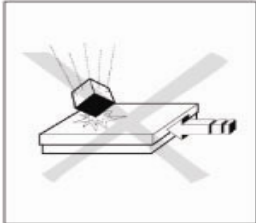
ATTENZIONE: Assicurarsi che il cavo sia protetto da possibili danni nel percorso verso l'indicatore.

TABELLA 1. CODICE COLORE PER IL CABLAGGIO DELLA BILANCIA DA PAVIMENTO

Nome segnale indicatore	Codice colore bilancia da pavimento
EXC+ (IN+)	Verde
SEN+	Giallo
SIG+ (OUT+)	Bianco
SIG+ (OUT+)	Rosso
SEN-	Blu
EXC- (IN-)	Nero
Schermo (GND)	Giallo/Verde

FUNZIONAMENTO

Per l'installazione, la taratura e il funzionamento corretto, fare riferimento al manuale di istruzioni fornito con l'indicatore. Per informazioni su capacità e leggibilità, consultare la sezione delle specifiche tecniche della bilancia da pavimento.



Per ottenere sempre un livello di funzionamento ottimale:

- Evitare la caduta di carichi, urti e impatti laterali.
- Durante la pesa, i materiali vanno collocati sulla bilancia centralmente e non sporgenti sui lati o sulle rampe.
- Verificare la taratura del sistema a intervalli regolari.

Limiti di funzionamento

Anche se le bilance da pavimento hanno una struttura particolarmente robusta, non devono essere superati determinati limiti di carico. In base al tipo di peso, il carico statico sicuro massimo, cioè il peso massimo ammissibile, è mostrato nella tabella 2.

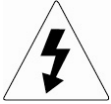
TABELLA 2. PESO MASSIMO AMMISSIBILE

Modello	Carico centrale massimo ¹ (80% Area)	Carico laterale massimo ² (30% Area)	Carico d'angolo massimo ³ (10% Area)	
VE1500S/R/L	2500 kg	1500 kg	1000 kg	
VE3000R/L	3800 kg	1800 kg	1200 kg	
VE1500SW/RW/LW	2500 kg	1500 kg	1000 kg	
VE3000RW/LW	3800 kg	1800 kg	1200 kg	

MANUTENZIONE

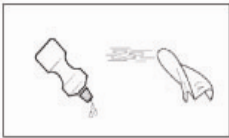
Controlli giornalieri

- Controllare che i piedi del bilanciante siano correttamente posizionati nei fori di ciascuna cella di carico.
- Controllare che i quattro piedi siano a contatto con il pavimento.
- Controllare che non siano presenti detriti sulla bilancia, specialmente sotto i bordi.
- Controllare che i cavi di collegamento non siano danneggiati.

Pulizia**Rischio di scosse elettriche**

Scollegare l'alimentazione prima di pulire la bilancia con qualsiasi tipo di materiale liquido.

La manutenzione della bilancia per pavimento è limitata a una pulizia regolare.



Pulizia dei modelli VE-S/R/L (versione in acciaio verniciato) in un ambiente asciutto:

- Strofinare le superfici con un panno umido.
- Utilizzare solo comuni detergenti per uso domestico.
- Non utilizzare getti d'acqua né detergenti ad alta pressione.



Pulizia dei modelli VE-SW/RW/LW (versione in acciaio inossidabile) in un ambiente con presenza di umidità:

- Getti d'acqua fino a 60 °C.
- Utilizzare solo comuni detergenti per uso domestico.
- Accertarsi della rimozione regolare delle sostanze corrosive.

Per tutti i modelli, quando si utilizzano rampe o piedini di regolazione opzionali:

- Tenere pulita e senza detriti l'intercapedine sul bordo della bilancia da pavimento.

DATI TECNICI**Specifiche tecniche****TABELLA 3. SPECIFICHE TECNICHE DELLA BILANCIA DA PAVIMENTO**

Modelli di bilancia da pavimento	VE1500S/SW	VE1500R/RW / VE3000R/RW	VE1500L/LW / VE3000LW/LW
Dimensioni	1000 x 1000 x 90 mm	1250 x 1250 x 90 mm	1500 x 1500 x 90 mm
Capacità	1500 kg	1500 kg / 3000 kg	1500 kg / 3000 kg
Temperatura di funzionamento/Umidità	Da -10 °C a 40 °C / da 0% a 95% di umidità relativa, senza condensa		
Emin	0,5 kg	0,5 kg / 1 kg	0,5 kg / 1 kg
Materiale, modelli VE-S/M/L	Acciaio al carburo verniciato, superficie scanalata, piastra superiore fissa		
Peso netto, modelli VE-S/M/L	83 kg	123 kg	170 kg
Materiale, modelli VE- SW/MW/LW	Acciaio inossidabile (AISI 304), sabbiato, superficie liscia, piastra superiore fissa		
Peso netto, modelli VE- SW/MW/LW	68 kg	101 kg	134 kg
Piedi	4 x orientabili con base in gomma, regolabili in altezza		
Celle di carico	4 x trave sollecitata al taglio, acciaio legato, OIML C3		
Capacità della cella di carico Emax	1000 kg	1000 kg / 1500 kg	1000 kg / 1500 kg
Limite di sovraccarico sicuro della cella di carico	120% di Emax		
Impedenza uscita cella di carico	350 Ω \pm 3.5 Ω		
Tensione di eccitazione della cella di carico	5V ~ 15V, CC/CA		
Scatola di giunzione	Accesso pannello posteriore, IP65, acciaio inossidabile, con cavo da 5 m		

ILLUSTRAZIONI

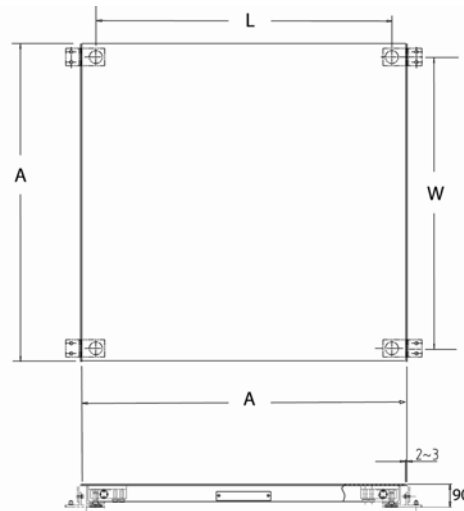


Figura 2. Dimensioni della bilancia da pavimento, (con i piedini di regolazione opzionali)

TABELLA 4. DIMENSIONI DELLA BILANCIA DA PAVIMENTO

MODELLI	DIMENSIONI (mm)		
	PIATTAFORMA BILANCIA DA PAVIMENTO	CENTRO PIEDI	
	A	W	L
VE1500S/SW	1000	890	890
VE1500R/RW, VE3000R/RW	1250	1140	1140
VE1500L/LW, VE3000L/LW	1500	1390	1390

ACCESSORI

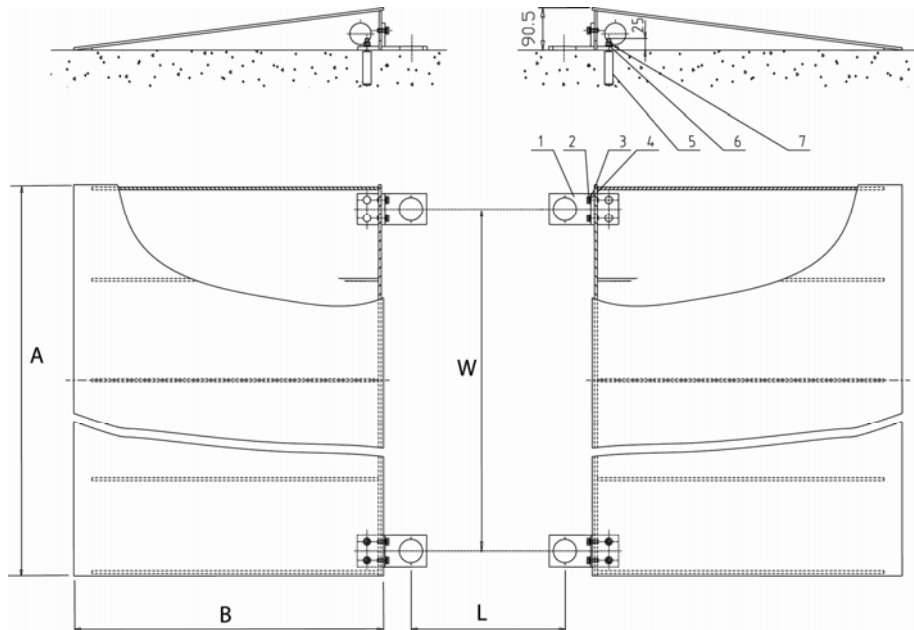
TABELLA 5. ELENCO DEGLI ACCESSORI.

Articolo	Numero parte
Kit piedini di regolazione in acciaio inossidabile per VE1500S/M/L	72198344
Kit piedini di regolazione in acciaio inossidabile per VE1500SW/MW/LW	72198345
Kit rampe in acciaio verniciato, 1 m, per VE1500S	72198338
Kit rampe in acciaio verniciato, 1,25 m, per VE1500R, VE3000R	72198339
Kit rampe in acciaio verniciato, 1,5 m, per VE1500SW	72198340
Kit rampe in acciaio inossidabile, 1 m, per VE1500SW	72198341
Kit rampe in acciaio inossidabile, 1,25 m, per VE1500RW, VE3000RW	72198342
Kit rampe in acciaio inossidabile, 1,5 m, per VE1500LW, VE3000LW	72198343

Note: 1. Nei kit dei piedini di regolazione sono inclusi due piedini di regolazione e la ferramenta per il montaggio
 2. Nei kit rampe è inclusa una rampa, due piedini di regolazione e la ferramenta per il montaggio

BILANCIA DA PAVIMENTO SERIE VE, INSTALLAZIONE DEI PIEDINI DI REGOLAZIONE E DELLE RAMPE OPZIONALI

I piedini di regolazione sono necessari per le installazioni certificabili. Per l'installazione di ciascuna rampa è necessario un gruppo di piedini di regolazione, disponibili separatamente o inclusi nel kit di accessori delle rampe. Per il montaggio dei piedini di regolazione e delle rampe, fare riferimento alla figura 3. L'installazione dei piedini e delle rampe va eseguita prima del posizionamento definitivo della bilancia da pavimento.



LEGENDA: 1. Piedino di regolazione, 2. Bullone, 3. Rondella a molla, 4. Rondella, 5. Fischer, 6. Rondella, 7. Dado

Figura 3. Installazione dei piedini di regolazione e delle rampe opzionali

- Note:**
1. Per i bulloni di espansione sono necessari fori di 12,5 mm di diametro e di 60 mm di profondità nel pavimento.
 2. Il centro dei piedini di regolazione per le dimensioni di larghezza (W) e lunghezza (L) rispetto al centro è mostrato nella tabella 4.
 3. La bilancia da pavimento va collocata in modo che i piedi della cella di carico poggino nei grandi fori dei piedini di regolazione.
 4. Controllare che rimanga un'intercapedine tra i lati della bilancia da pavimento e i bordi delle rampe.

TABELLA 6. DIMENSIONI PER L'INSTALLAZIONE DEI PIEDINI DI REGOLAZIONE E DELLE RAMPE

MODELLI	DIMENSIONI (mm)			
	RAMPA		CENTRO PIEDINI	
	A	B	W	L
Rampa per VE1500S/SW	1000	670	890	890
Rampa per VE1500R/RW e VE3000R/RW	1250	670	1140	1140
Rampa per VE1500L/LW e VE3000L/LW	1500	670	1390	1390

GARANZIA

I prodotti Ohaus sono garantiti contro difetti nei materiali e nella lavorazione dalla data di consegna per tutta la durata del periodo di garanzia. Durante il periodo di garanzia Ohaus riparerà o, a sua scelta, sostituirà tutti i componenti che siano difettosi senza costo alcuno, purché il prodotto venga rinvioato, con spese prepagate, alla Ohaus.

Questa garanzia non è valida se il prodotto è stato danneggiato o trattato con poca cura, esposto a materiali radioattivi o corrosivi, se vi siano penetrati materiali estranei o in seguito ad assistenza eseguita da personale non Ohaus. In assenza di una scheda di garanzia rinvioata insieme al prodotto, il periodo di garanzia avrà inizio dal momento della spedizione del prodotto al rivenditore autorizzato. Non viene rilasciata nessun'altra garanzia espressa o implicita da parte della Ohaus Corporation. Ohaus Corporation non sarà responsabile per qualsiasi danno indiretto.

Vista la diversità di normativa tra i vari Stati in termini di garanzia, contattare direttamente la Ohaus o il rivenditore locale Ohaus per ulteriori dettagli.



Ohaus Corporation
19A Chapin Road
P.O. Box 2033
Pine Brook, NJ 07058-2033, USA
Tel: (973) 377-9000
Fax: (973) 944-7177

With offices worldwide / Con oficinas alrededor del mundo / Avec des bureaux dans le monde entier / Weltweite Geschäftsstellen /
Con uffici in tutto il mondo.

www.ohaus.com



* 8 0 2 5 1 4 8 4 *

P/N 80251484 A © Ohaus Corporation 2006, all rights reserved / todos los derechos reservados / tous droits réservés / Alle
Rechte vorbehalten / tutti i diritti riservati.

Printed in China / Impreso en la China / Imprimé en Chine / Gedruckt in China / Stampato in Cina