



DEFENDER™ 3000

Bench Scales



Bench Scales for Basic Industrial Applications

The Defender 3000 Series bench scales are ideal for general weighing, simple counting and checkweighing applications in production, packaging, warehouse, inventory, shipping and receiving areas. The Defender 3000 Series features a simple, yet rugged tubular-frame base design and indicators with tactile keys, multicolor backlit LCD display, AC or standard rechargeable battery operation and flexible mounting capabilities.

Unique Features:

- Results are clearly shown using the large, bright backlit LCD display. In Checkweighing mode display changes color (yellow/green/red) to alert when within the target weight range.
- This tough industrial scale features a 304-stainless steel platform, powder-coated steel tubular frame, column and IP65 aluminum load cell. Indicator features a durable ABS housing and powder coated steel mounting bracket, IP54 protection rate with the optional dust cover.
- Features software for Parts Counting, Checkweighing and Totalization. Includes RS232 with optional USB Device or Ethernet for printing or data connectivity. Approved models are equipped with EasyConnect™ solution.

DEFENDER™ 3000 Bench Scales

Specifications

Column Mount Bench Scale

Model	i-D33P15B1R1	i-D33P30B1R1	i-D33P60B1R1	i-D33P30B1L2	i-D33P60B1L2	i-D33P150B1L2
Capacity × Default Readability	15 kg × 2 g	30 kg × 5 g	60 kg × 10 g	30 kg × 5 g	60 kg × 10 g	150 kg × 20 g
Maximum Displayed Resolution	1:7500	1:6000				1:7500
Linearity/Repeatability	±1d					
Certified Model	i-D33P15B1R1-M	i-D33P30B1R1-M	i-D33P60B1R1-M	i-D33P30B1L2-M	i-D33P60B1L2-M	i-D33P150B1L2-M
Capacity × Certified/Approved Readability	15 kg × 5 g	30 kg × 10 g	60 kg × 20 g	30 kg × 10 g	60 kg × 20 g	150 kg × 50 g
Maximum Certified Resolution	1:3000					
Indicator	ABS indicator					
Column	330 mm powder-coated steel			680 mm powder-coated steel		
Base Construction	Stainless steel removable weighing platform, powder-coated steel base construction, silicon sealed IP65 aluminum loadcell against moisture					
Safe Overload Capacity	150% of maximum capacity					
Stabilization Time	Within 1 second					
Operating Temperature Range	-10°C to 40°C					
Scale Dimensions (A × B × C × D × E × F)	355 × 305 × 124,5 × 75 × 541,6 × 489,1 mm			550 × 420 × 136 × 80 × 896,1 × 685,6 mm		
Shipping Dimensions (L × W × H)	642 × 497 × 212 mm M models: 495 × 455 × 373 mm			857 × 564 × 225 mm M models: 1022 × 687 × 247 mm		
Approx. Net Weight	10,4 kg			16,9 kg		
Approx. Shipping Weight	13,4 kg			21 kg		

Model	i-D33P150B1X2	i-D33P300B1X2	i-D33P300B1V3	i-D33P600B1V3
Capacity × Default Readability	150 kg × 20 g	300 kg × 50 g	300 kg × 50 g	600 kg × 100 g
Maximum Displayed Resolution	1:7500	1:6000		
Linearity/Repeatability	±1d			
Certified Model	i-D33P150B1X2-M	i-D33P300B1X2-M	i-D33P300B1V3-M	i-D33P600B1V3-M
Capacity × Certified/Approved Readability	150 kg × 50 g	300 kg × 100 g		600 kg × 200 g
Maximum Certified Resolution	1:3000			
Indicator	ABS indicator			
Column	680 mm powder-coated steel		980 mm powder-coated steel	
Base Construction	Stainless steel removable weighing platform, powder-coated steel base construction, silicon sealed IP65 aluminum loadcell against moisture			
Safe Overload Capacity	150% of maximum capacity			
Stabilization Time	Within 1 second			
Operating Temperature Range	-10°C to 40°C			
Scale Dimensions (A × B × C × D × E × F)	650 × 500 × 153 × 90 × 894,6 × 784,6 mm		800 × 600 × 160 × 90 × 1194,6 × 933,1 mm	
Shipping Dimensions (L × W × H)	1022 × 687 × 247 mm M models: 1022 × 687 × 247 mm		1165 × 780 × 235 mm M models: 1175 × 790 × 245 mm	
Approx. Net Weight	27 kg		45,5 kg	
Approx. Shipping Weight	30,5 kg		49,5 kg	

DEFENDER™ 3000 Bench Scales

Specifications

Front Mount Bench Scale

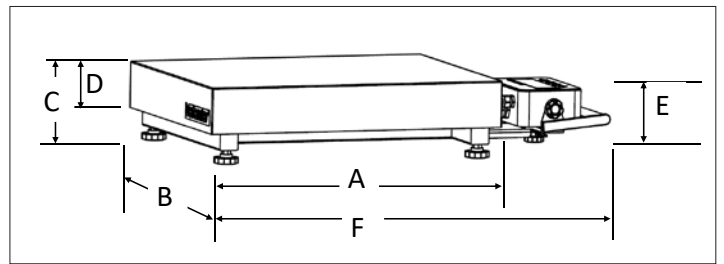
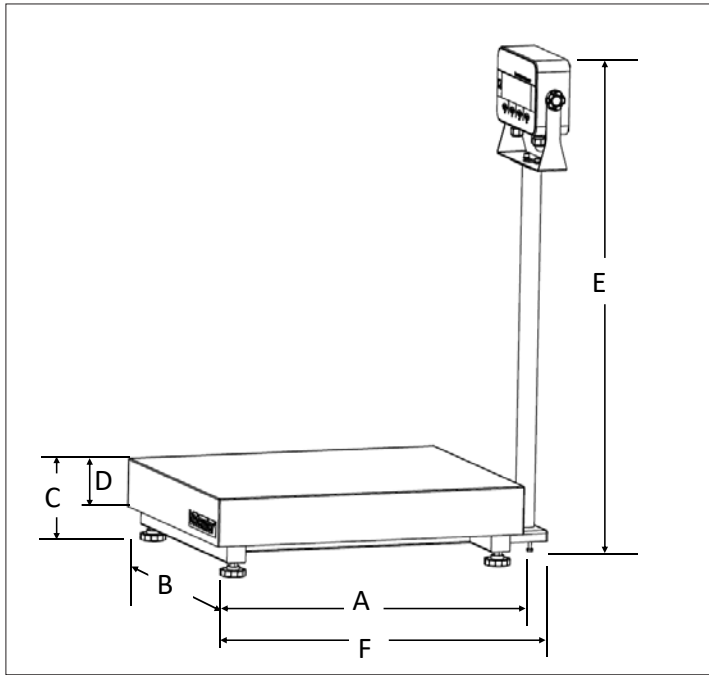
Model	i-D33P15B1R5	i-D33P30B1R5	i-D33P60B1R5	i-D33P30B1L5	i-D33P60B1L5	i-D33P150B1L5	i-D33P150B1X5	i-D33P300B1X5
Capacity × Default Readability	15 kg × 2 g	30 kg × 5 g	60 kg × 10 g	30 kg × 5 g	60 kg × 10 g	150 kg × 20 g	150 kg × 20 g	300 kg × 50 g
Maximum Displayed Resolution	1:7500	1:6000			1:7500			1:6000
Linearity/Repeatability	±1d							
Certified Model	i-D33P15B1R5-M	i-D33P30B1R5-M	i-D33P60B1R5-M	i-D33P30B1L5-M	i-D33P60B1L5-M	i-D33P150B1L5-M	i-D33P150B1X5-M	i-D33P300B1X5-M
Capacity × Certified/Approved Readability	15 kg × 5 g	30 kg × 10 g	60 kg × 20 g	30 kg × 10 g	60 kg × 20 g	150 kg × 50 g		300 kg × 100 g
Maximum Certified Resolution	1:3000							
Indicator	ABS indicator							
Column	304 stainless steel front-mount bracket with handle							
Base Construction	Stainless steel removable weighing platform, powder-coated steel base construction, silicon sealed IP65 aluminum loadcell against moisture							
Safe Overload Capacity	150% of maximum capacity							
Stabilization Time	Within 1 second							
Operating Temperature Range	-10°C to 40°C							
Scale Dimensions (A × B × C × D × E × F)	355 × 305 × 124,5 × 75 × 130 × 645,5 mm			550 × 420 × 136 × 80 × 132,9 × 842 mm			650 × 500 × 153 × 90 × 133 × 941 mm	
Shipping Dimensions (L × W × H)	857 × 564 × 225 mm M models: 495 × 455 × 373 mm			1022 × 687 × 247 mm M models: 1022 × 687 × 247 mm				
Approx. Net Weight	9,6 kg			15,5 kg			25,7 kg	
Approx. Shipping Weight	12 kg			19,6 kg			29,2 kg	

Indicators

Model	i-DT33P
Construction	ABS housing, painted steel mounting bracket
Protection	IP54 (with optional dust cover)
Weighing Units	Kilogram, Gram, Pound, Ounce, Pound: Ounce (Kilogram, Gram only for M models)
Application Modes	Weighing, Parts Counting, Checkweighing and Totalization
Display	6-digit, 7-segment LCD display with multi-color backlight, 45 mm high digits
Check Indicator	3 Color (red, green, yellow) backlight
Keyboard	4 function keys
Auto-zero Tracking	Off, 0,5 d, 1 d or 3 d
Zeroing Range	2% or 100% of capacity
Interface	RS232 included
	Optional USB, Ethernet
Power	100-240 VAC / 50/60 Hz Universal Power Supply or standard rechargeable battery
Battery Life	Up to 100 hours continuous use with backlight off (rechargeable battery)
Calibration	Zero, Span or 3 point-Linear

DEFENDER™ 3000 Bench Scales

Outline Dimensions



Compliance

- **Metrology:** EN45501 (Scale: T12209; Indicator: TC12208; Load Cell: OIML R60/2017-A-NL1-21.19 / TC12115; R60/2017-A-NL1-21.20 / TC12116; R60/2017-A-NL1-21.21 / TC12117; R60/2017-A-NL1-21.22 / TC12114).
- **Product Safety:** IEC/EN 61010-1; CAN/CSA C22.2 61010-1; UL61010-1
- **Electromagnetic Compatibility:** IEC/EN 61326-1 Class B, basic environments; FCC Part 15 Class A; Canada ICES-003 Class A
- **Ingress Protection:** IEC 60529 – IP54 (for indicator), IEC 60529 – IP65 (for load cell)
- **Compliance Marks:** CE
- **Other:** WEEE, RoHS

Accessories

Ethernet Kit	30429666
USB Device Kit i-DT33	30699120
Dust Cover (5) i-DT33	30699121
Wheel Kit, Defender Series	30372146
Wheel Kit SST Defender Series	30616409
Carrying Handle Kit i-DT33	30696600
SF40A Printer	30064202
Cable RS232 i-DT33P	80500525

Column Kit for i-DT33 indicator:

Column Kit, 330 mm, SST	30696595
Column Kit, 680 mm, SST	30696596
Column Kit, 330 mm, CS	30696597
Column Kit, 680 mm, CS	30696598
Column Kit, 980 mm, CS	30696599

OHAUS Europe GmbH

e-mail: ssc@ohaus.com
 Tel: 0041 22 567 53 19
 e-mail: tsc@ohaus.com
 Tel: 0041 22 567 53 20

www.ohaus.com

The management system governing the manufacture of this product is ISO 9001:2015 certified.

80776689_E 20260422 © Copyright OHAUS Corporation

